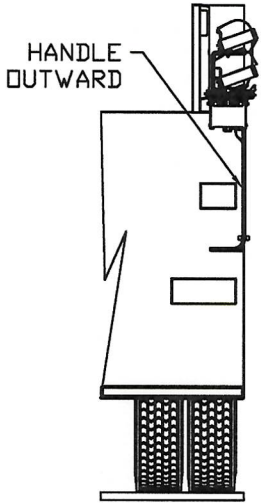


ZICO Ziamatic Corp.  
 Double Hard Sleeve Gantry Model: HSG-2--10  
 Order Form Page 1 of 3

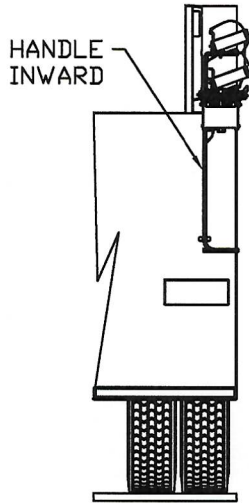
**Instructions:**

- 1) Review the handle arrangements on pages 2 and 3. Choose what handle works best.
- 2) On page 1, make a selection from Section A, Section B or one from each Section A & B.
- 3) Fill out the company information.
- 4) Email completed page 1 to: sales@ziamatic.com

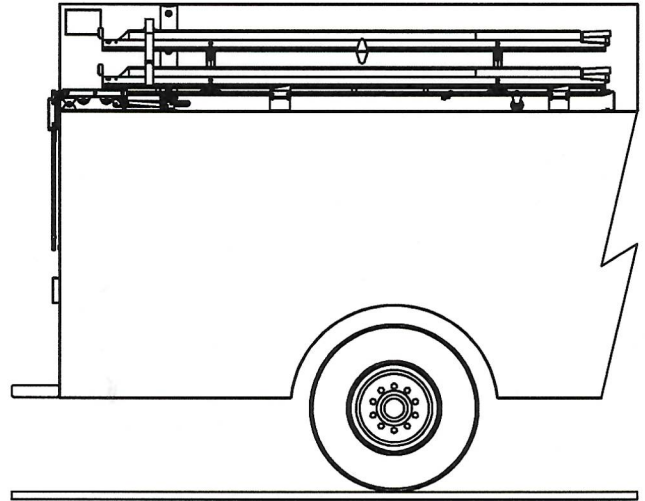
Company: \_\_\_\_\_  
 PO #: \_\_\_\_\_  
 Print Name: \_\_\_\_\_  
 Approval Signature: \_\_\_\_\_  
 FD: \_\_\_\_\_  
 FD: Town \_\_\_\_\_ State \_\_\_\_\_



Officer's Rear Side  
(Handle Arrangement 1)



Officer's Rear Side  
(Handle Arrangement 2)

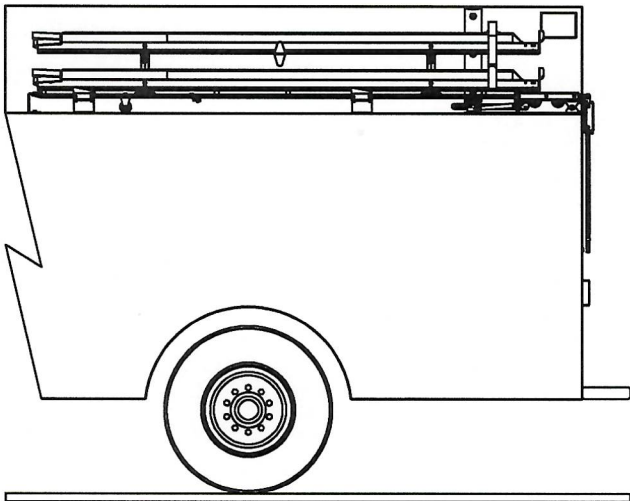


Officer's Side

Officer's Side Order Options (Check 1)

- Officer's Side with Handle Arrangement 1
- Officer's Side with Handle Arrangement 2

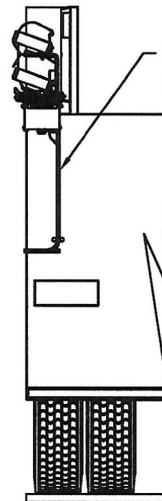
Section A: Officer's Side



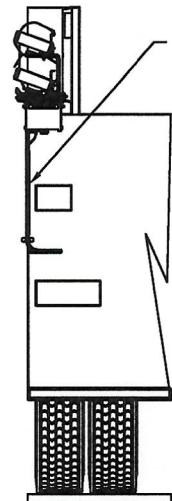
Driver's Side

Driver's Side Order Options (Check 1)

- Driver's Side with Handle Arrangement 1
- Driver's Side with Handle Arrangement 2



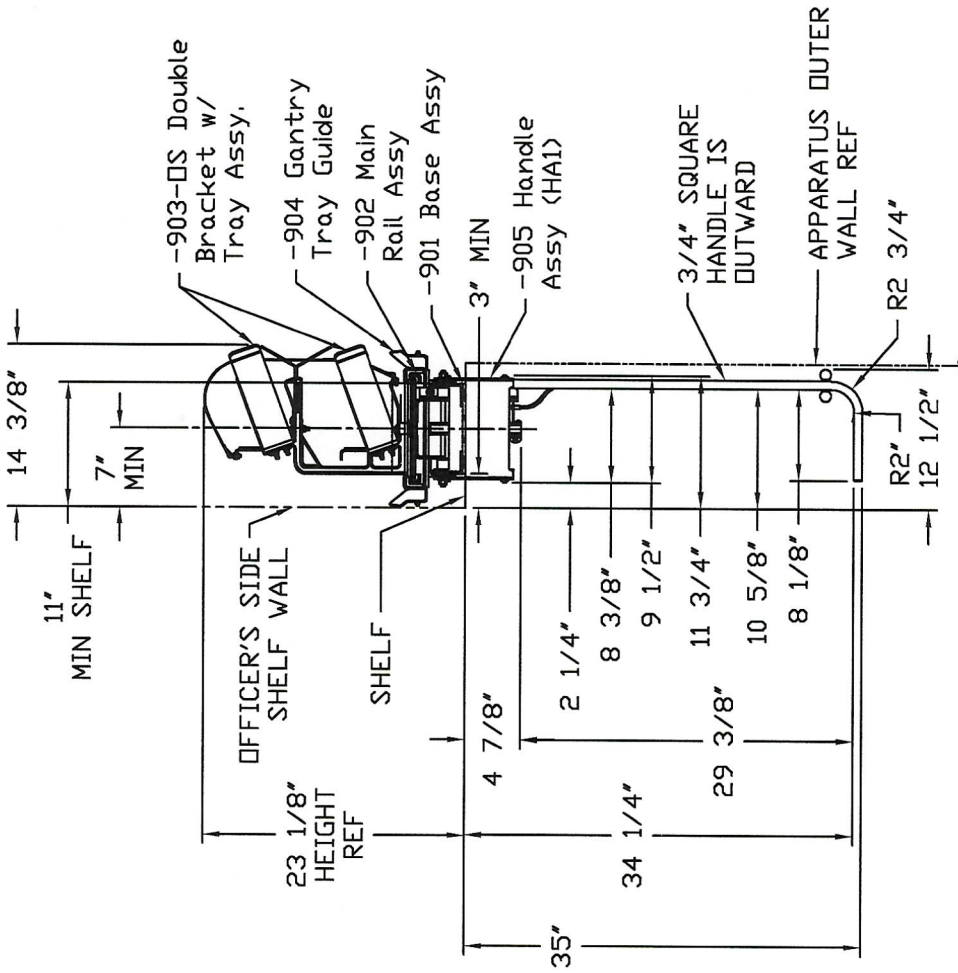
Driver's Rear Side  
(Handle Arrangement 1)



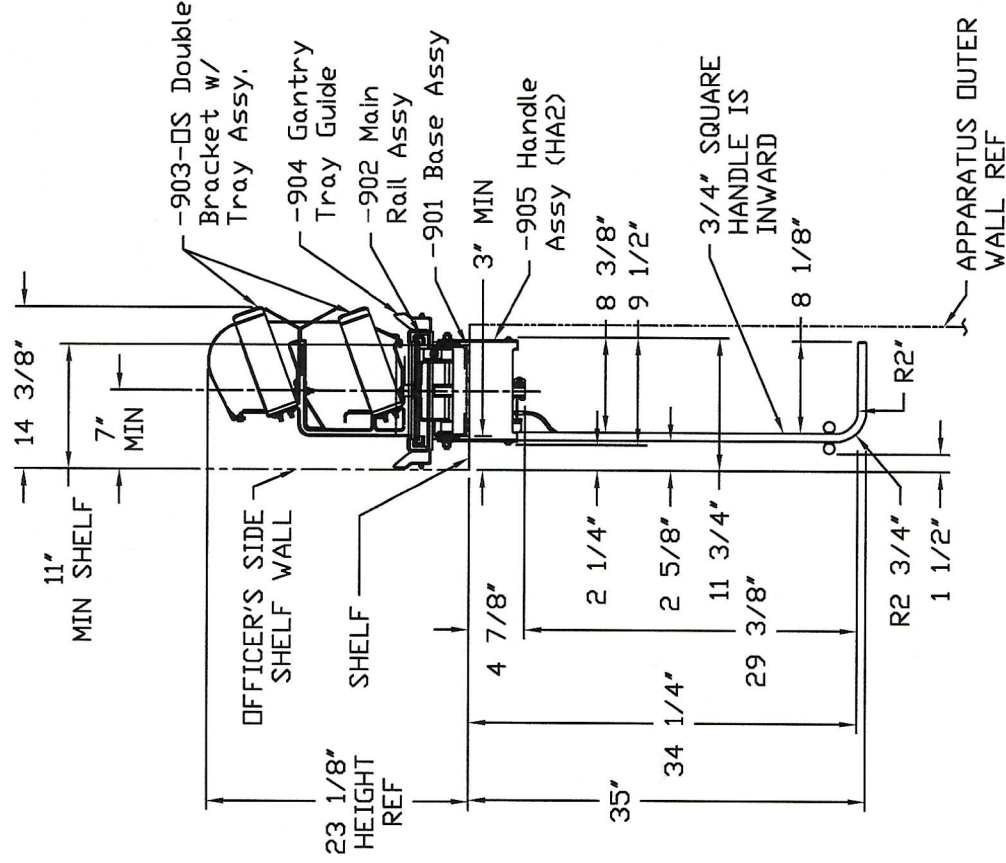
Driver's Rear Side  
(Handle Arrangement 2)

Section B: Driver's Side

ZICO Zlamatic Corp.  
 Double Hard Sleeve Gantry Model: HSG-2--10  
 Order Form Page 2 of 3 (Officer's Side)



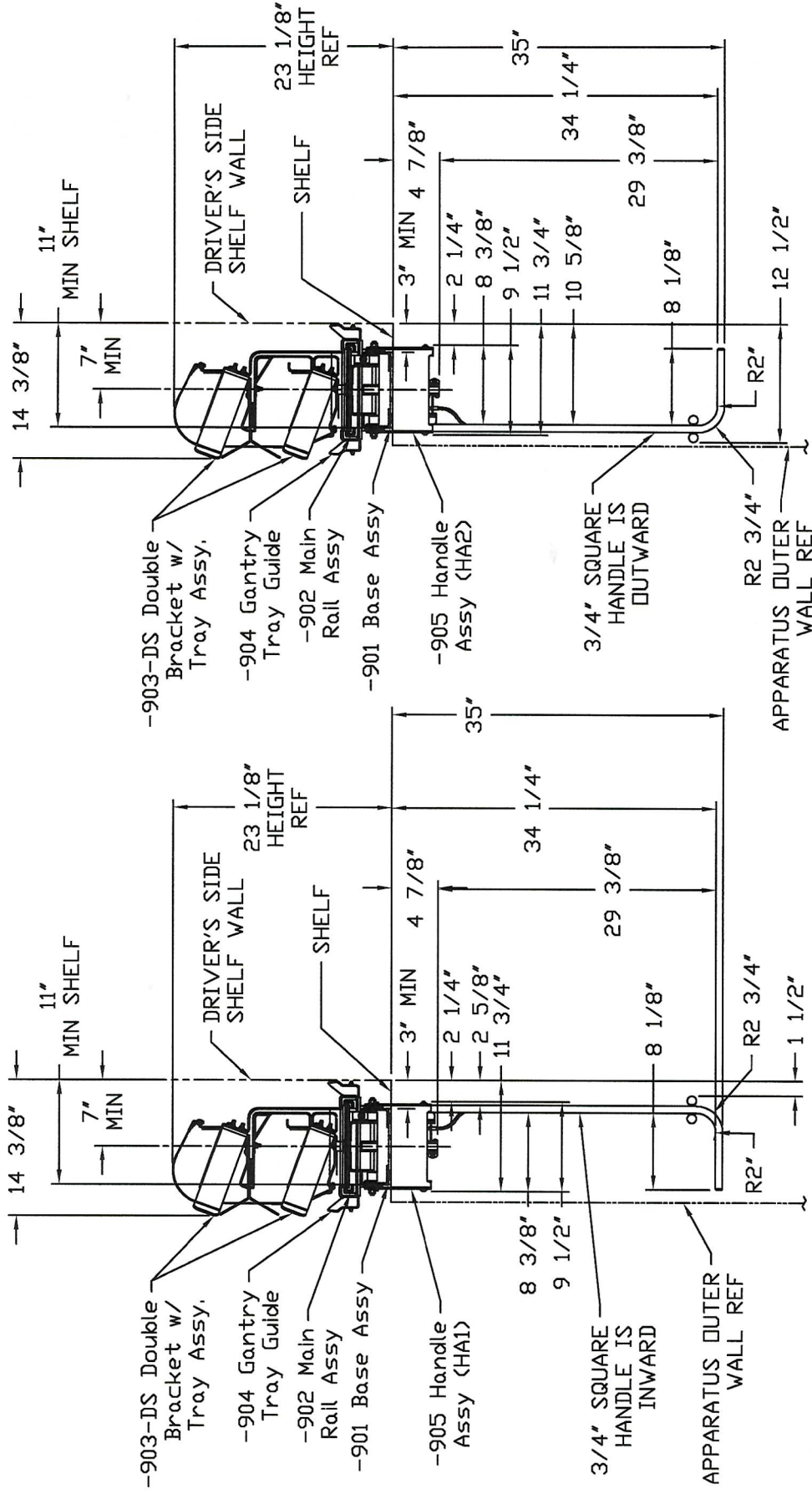
Officer's Side Rear View  
 (Handle Arrangement 1) (HA1)



Officer's Side Rear View  
 (Handle Arrangement 2) (HA2)

Important: HA1 & HA2 have different parts that makes them unique to each other. They cannot be simply taken apart to make the opposite sided handle.

ZICD Ziamatic Corp.  
 Double Hard Sleeve Gantry Model: HSG-2--10  
 Order Form Page 3 of 3 (Driver's Side)



Driver's Side Rear View  
 (Handle Arrangement 1)

Driver's Side Rear View  
 (Handle Arrangement 2)

Important: HA1 & HA2 have different parts that makes them unique to each other. They cannot be simply taken apart to make the opposite sided handle.