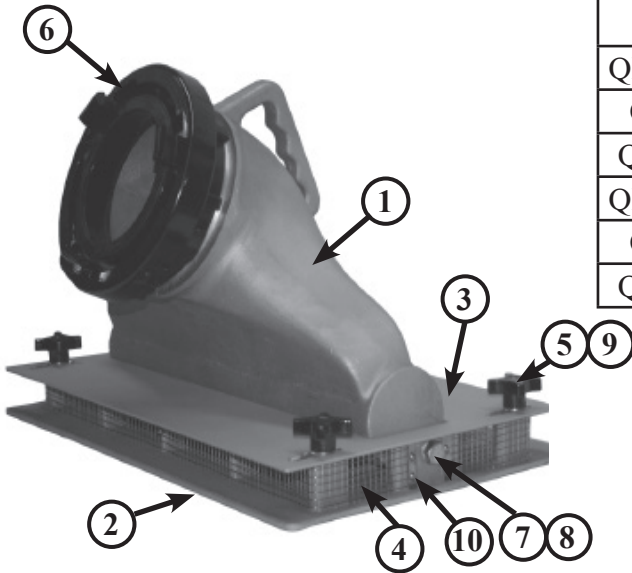


QUIC-DRAFT® Suction Strainers
Models QD-500 & QD-600
Parts and Information Manual



| MODEL | DESCRIPTION | WT./@ IN LBS. |
|------------|------------------------|------------------|
| QD-500-NST | 5" NST Female Coupling | 28.0 |
| QD-500-S | 5" Storz Coupling | 41.2 |
| QD-500-LC | 5" Less Coupling | 39.2 |
| QD-600-NST | 6" NST Female Coupling | 39.2 |
| QD-600-S | 6" Storz Coupling | 42.2 |
| QD-600-LC | 6" Less Coupling | 31.4 |

| ITEM NO. | QD-500 PART NO. | QD-600 PART NO. | DESCRIPTION | QTY. |
|----------|-----------------|-----------------|-------------------------------|------|
| 1 | 2030-115-125 | 2030-125-135 | Nozzle Casting | 1 |
| 2 | 2030-115-130 | 2030-125-140 | Base Casting | 1 |
| 3 | 2030-115-137 | 2030-125-147 | Upper Plate | 1 |
| 4 | 2030-115-173 | 2030-125-185 | Screen | 2 |
| 5 | 2030-000-130 | 2030-000-130 | Ball Knob | 5 |
| 6A | 2000-000-175 | 2000-000-187 | Coupling, NST Female | 1 |
| 6B | 2000-000-177 | 2000-125-189 | Coupling, Storz | 1 |
| 7 | 2030-000-165 | 2030-000-165 | Bushing | 2 |
| 8 | 9110-105-022 | 9110-105022 | Hex Head Bolt 1/2-13 x 1-3/8" | 2 |
| 9 | 9114-123700 | 9114-123700 | Flat Washer 3/8" I.D. | 4 |
| 10 | 9120-101305 | 9120-101305 | Drive Screw #6 x 5/16" | 14 |

Unit Dimensions (coupling in lowered position): 5" Suction Strainer - 18" L x 13-1/2" W x 12-1/2" H
 6" Suction Strainer - 22" L x 16" W x 14" H



Ziamatic Corp.

10 West College Avenue, P.O. Box 337, Yardley, PA 19067-0587 • (215) 493-3618 • FAX: (215) 493-1401

*ZICO is a registered trademark for fire, safety and marine products made by Ziamatic Corp.

www.ziamatic.com

TOLL FREE: 800-711-3473

Copyright Ziamatic Corp. 1-21